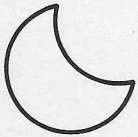
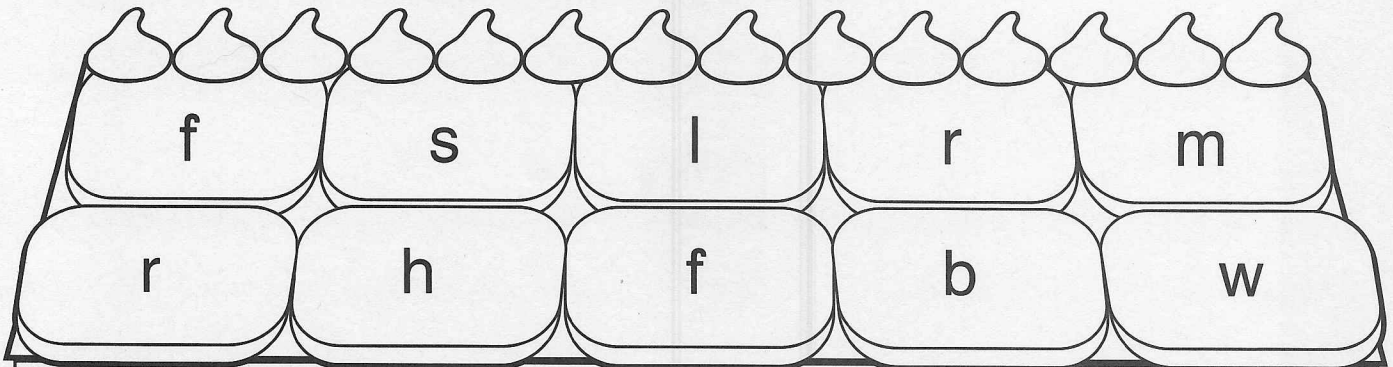


Name \_\_\_\_\_

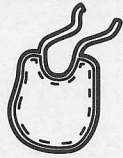
# Freshly Baked Cookies

 Write each beginning letter.

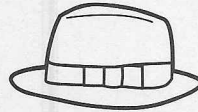
 Color each letter after you use it.



\_\_\_\_\_oon



\_\_\_\_\_ib



\_\_\_\_\_at



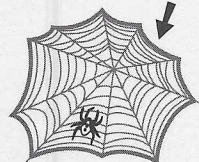
\_\_\_\_\_ing



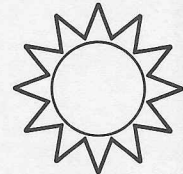
\_\_\_\_\_ock



\_\_\_\_\_an



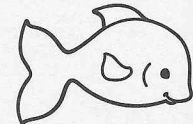
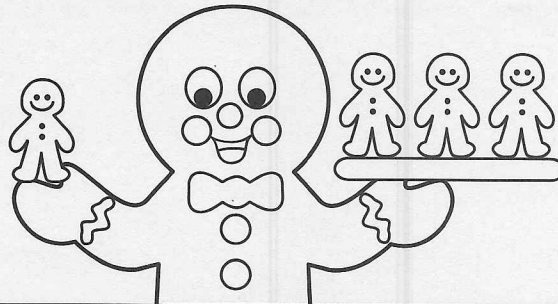
\_\_\_\_\_eb



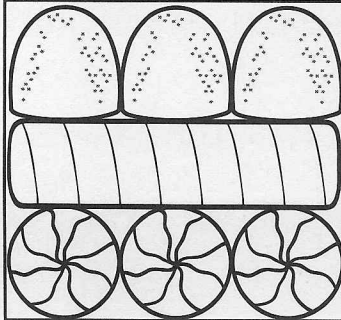
\_\_\_\_\_un



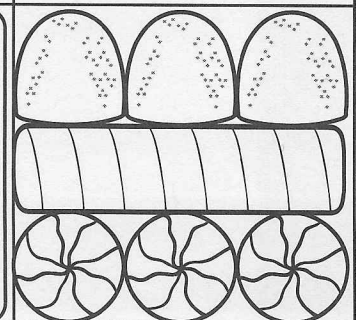
\_\_\_\_\_ug



\_\_\_\_\_ish



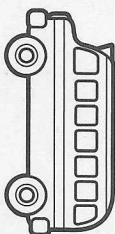
**Bonus:** Draw four things whose names begin with t.




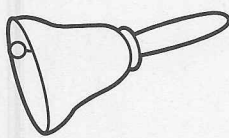


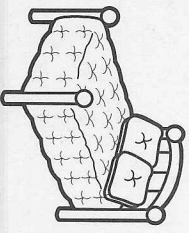
# Checking the List

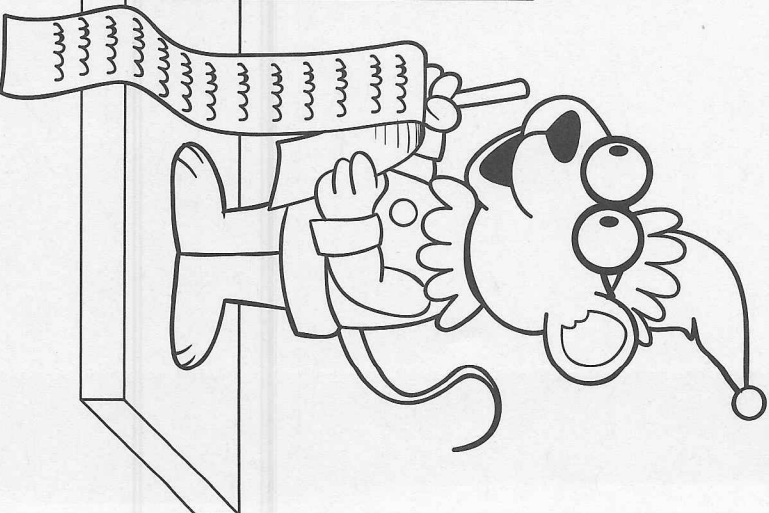
 Circle the ending letter.

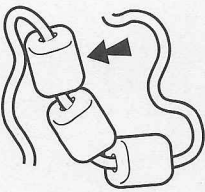
  
d | s

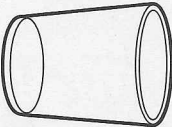
  
d | s

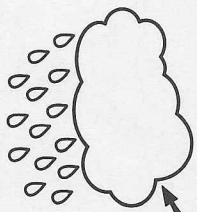
  
d | s

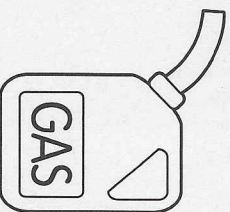
  
d | s



  
d | s

  
d | s

  
d | s

  
d | s

**Bonus:** Draw pictures to show other things that end with d, l, and s. Label each picture with its ending letter.